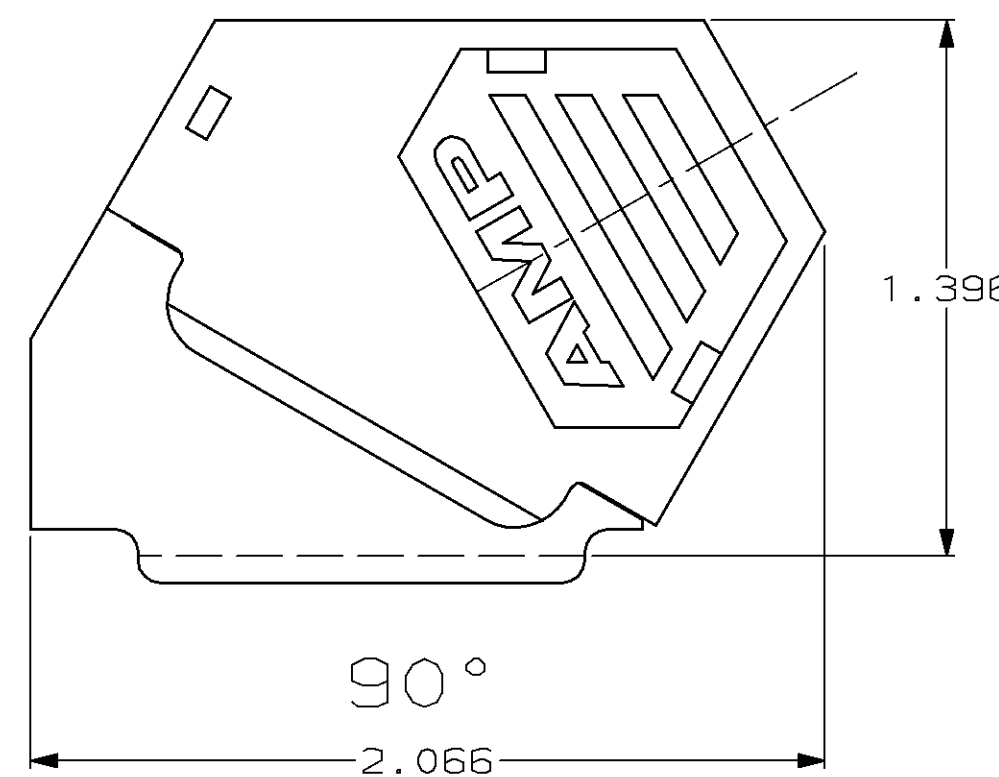
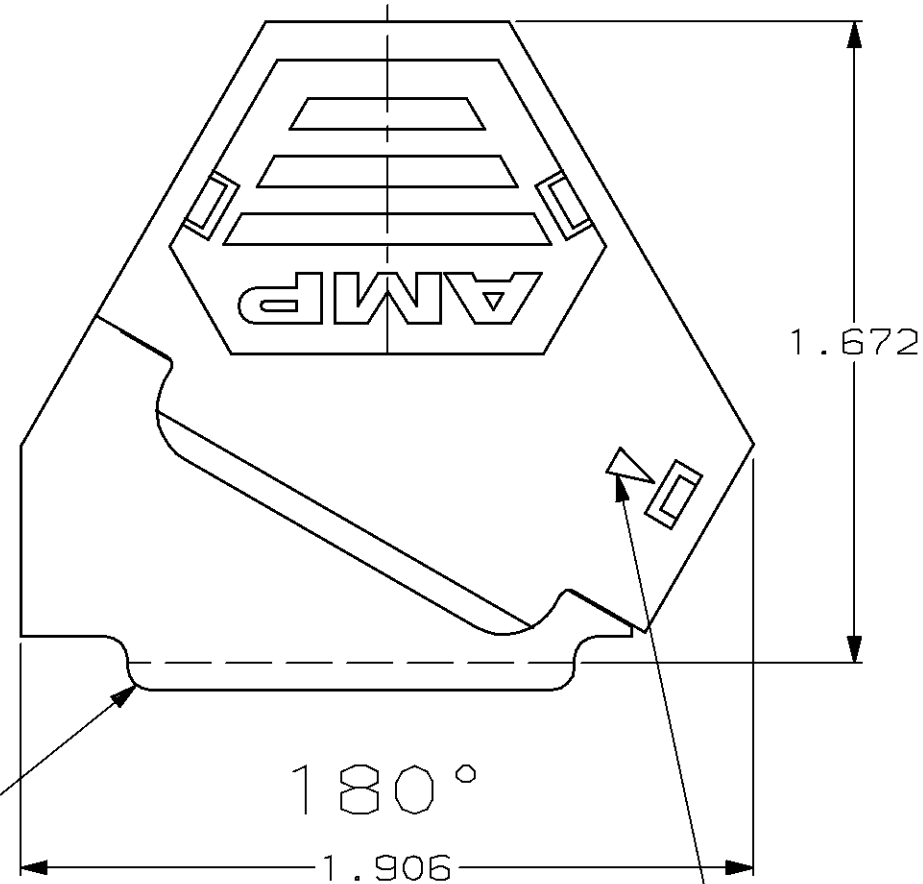
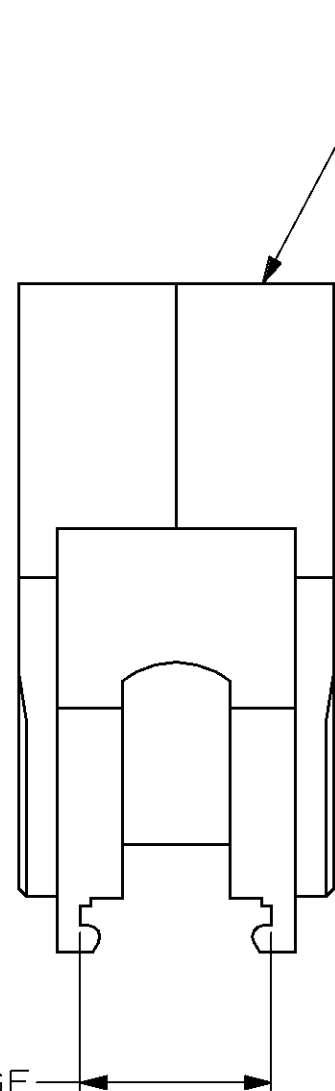
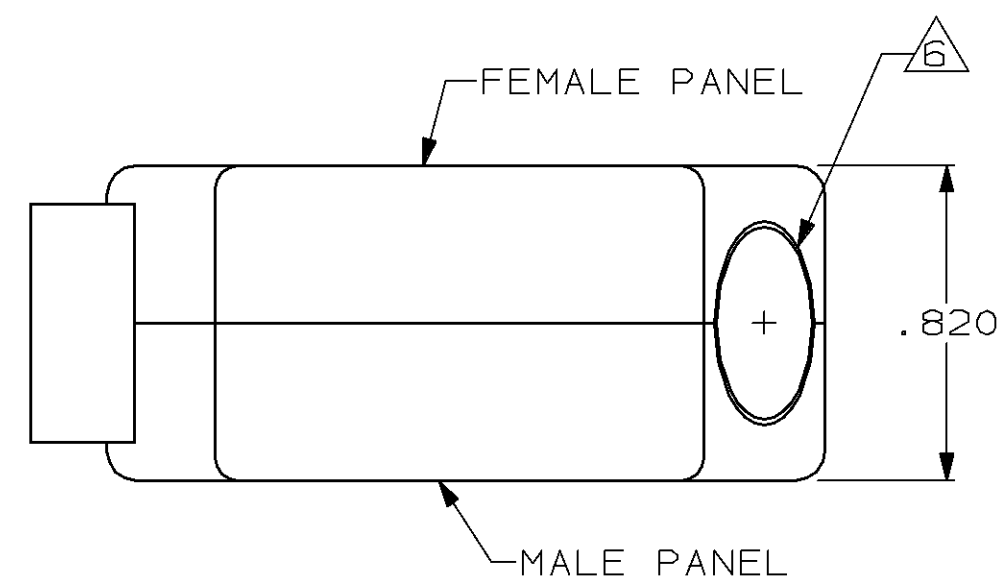
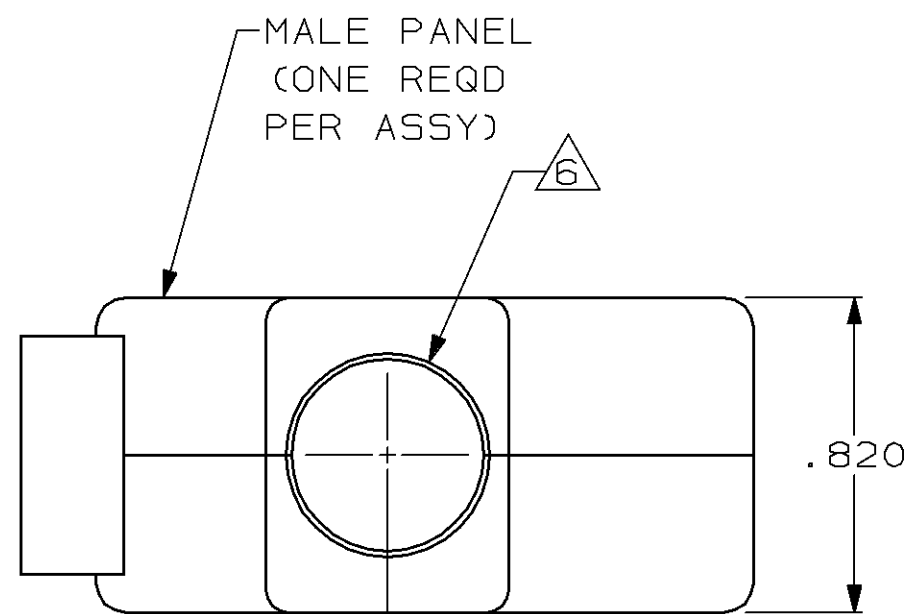
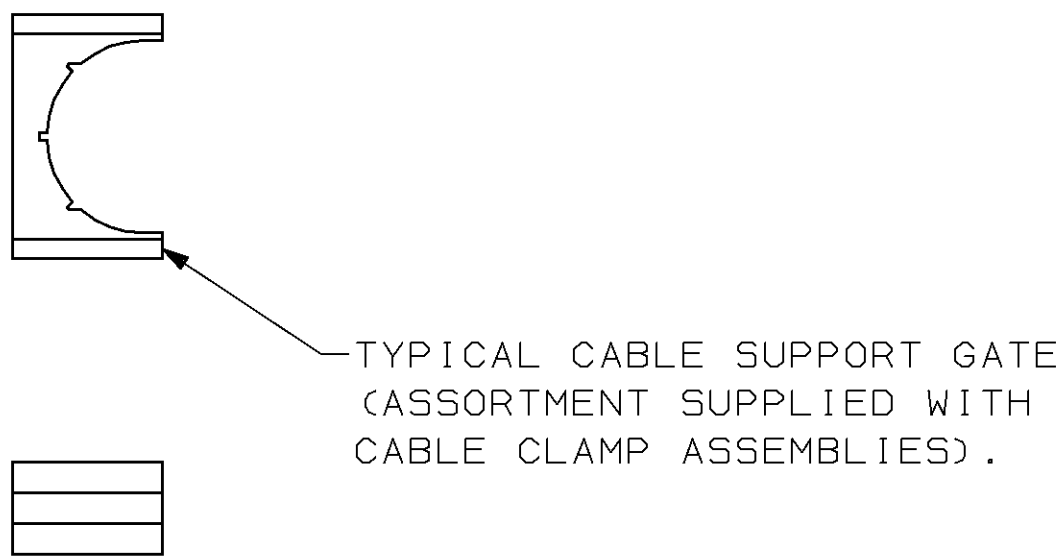


| LOC | DIST | P | F | ZONE | LTR | DESCRIPTION                       | DATE      | APPD |
|-----|------|---|---|------|-----|-----------------------------------|-----------|------|
| BD  | 48   |   |   |      | C   | REDRAWN ON CAD                    | 5-10-90   | -    |
|     |      |   |   |      | D   | REV PER ECN BD6079                | 06/16/92  | RM   |
|     |      |   |   |      | E   | OBSOLETE -2<br>PER EC 0020-712-95 | 03 FEB 96 | CS   |



SLOT FOR FLANGE  
OF AMPLIMITE  
TYPE CONNECTORS.

YOKE  
(ONE REQD  
PER ASSY)

POINTER INDICATES THIS PANEL ONLY  
FOR SCREW DRIVER, TO DISASSEMBLE.

|          |           |             |
|----------|-----------|-------------|
| OBSOLETE | 4         | 745306-2    |
|          | 1 2 3     | 745306-1    |
|          | PACKAGING | PART NUMBER |

- ① ALL PARTS PACKAGED UNASSEMBLED.
- ② SAME PARTS CAN BE ASSEMBLED IN EITHER 180° OR 90° CONFIGURATION, AS SHOWN.
- ③ KIT CONSISTING OF FOUR INDIVIDUAL PARTS, AS SHOWN.
- ④ EACH PART IS INDIVIDUALLY BULK PACKED FOR MULTIPLE KIT ORDERS.
- 5. PARTS ASSEMBLE WITHOUT HARDWARE.
- ⑥ CLAMP ACCOMMODATES DISCRETE WIRES OR JACKETED CABLE UP TO .550 INCH DIAMETER.

|  |  |                             |  |  |  |
|--|--|-----------------------------|--|--|--|
| DO NOT SCALE PRINT. UNLESS SPECIFIED DIMENSIONS IN INCHES TOLERANCES ON :<br>2 PLC DEC ± -<br>3 PLC DEC ± .015<br>ANGLES ± - |  | DR 5-10-90<br>J.GALLUCCI BG |  | AMP INCORPORATED<br>Harrisburg, Pa. 17105            |  |
| MATERIAL<br>BLACK THERMOPLASTIC  |  | CHK 6-15-90<br>W.LENKER     |  |  |  |
| FINISH<br>-  |  | APPD 7-9-90<br>J.WESTMAN    |  | NAME<br>KIT, CABLE CLAMP ASSY,<br>SIZE 3, AMPLIMITE™ |  |
|  |  | APPD 7-16-90<br>J.ASSINI    |  | SIZE<br>C 00779                                      |  |
|  |  | PRODUCT SPEC<br>-           |  | DRAWING NO<br>745306                                 |  |
|  |  | APPLICATION SPEC<br>-       |  | SCALE<br>2:1   |  |
|  |  | WEIGHT<br>-                 |  | SHEET<br>1 OF 1                                      |  |